

## Acerinox Europa S.A.U.

**Award:** Safety  
**Category:** Workplace improvement

# Improvement in the Gripping System of the Lifting Gear for the Elevation/Manipulation of the Tundish for Continuous Casting

## Challenge

It should be avoided to handle a lifting device with articulated link chains in order to prevent accidents like the entrapment of hands and fingers and blows to the head with the articulated link chains, among other incidents.

## Action

When designing a new lifting device it is done in such a way that it can be avoided hands have to be put in the articulated link chains through the tundish grips.

## Outcome

To increase the safety and to decrease the risks because the operator will not have to handle the lifting device with articulated chains.

In addition the productivity and efficiency of the operation was improved because only one operator is necessary. With the old lifting device two operators were needed.

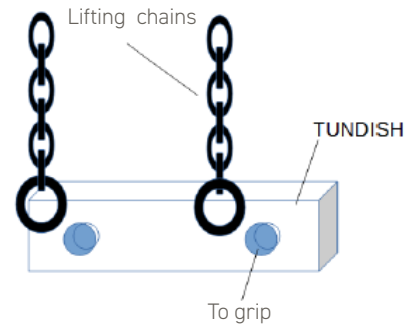


Figure 1: Old lifting device



Figure 2: Old lifting device

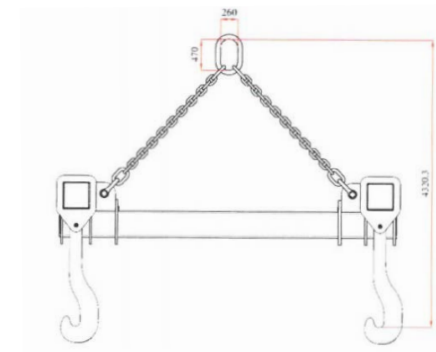


Figure 3: New lifting device



Figure 4: New lifting device